

Instructions for installing an adjustable float kit on
DEAD-STOP (2" Pressure Fill)
Overfill Prevention Valve



**ALWAYS USE
NON-SPARK TOOLS!**

**OVERFILL VALVES MUST ALWAYS BE TESTED FOR CORRECT
OPERATION BEFORE THE SITE INSTALLATION IS SIGNED OFF**

ALWAYS USE NON-SPARK TOOLS!

Introduction:

The DEAD-STOP valve is opened by the flow of product being delivered into the tank and is closed against the delivery flow when the float lifts at the pre-set maximum tank capacity (Normally 95% of tank capacity).

NB: If use with alternative fuels outside this spectrum is required, please refer to Risbridger Ltd.

Should the float become damaged and stuck in the open position the valve will fail to close and will not prevent an overflow when the fluid reaches the shut off level.

Should the DEAD-STOP valve need servicing or replacement parts please contact Risbridger Ltd at info@risbridger.com for more information.

Before starting a Maintenance or Testing Operation Please make sure you observe the correct Health & Safety Precautions and carry out work with due adherence to Site Specific Regulations.

Before starting work ensure you have the following:-

RECOMMENDED TOOLS REQUIRED FOR INSTALLATION

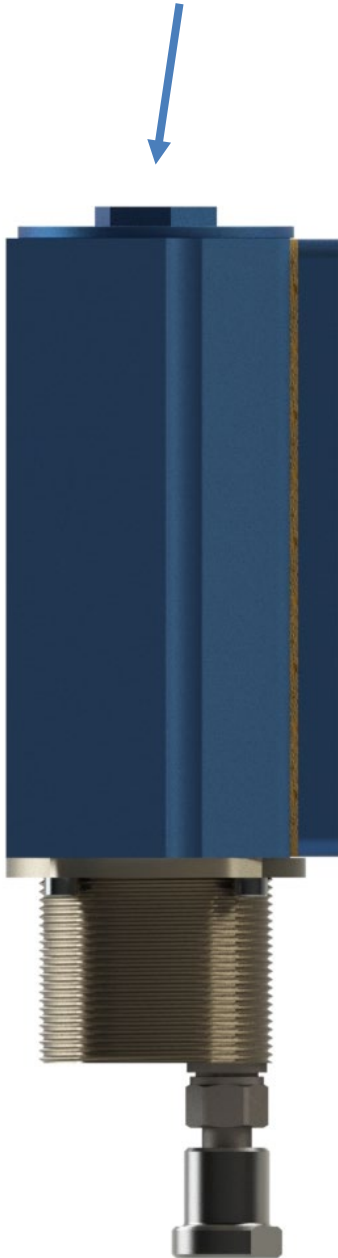


- 21mm and 19mm Spanner
- Bondloc B542 (or equivalent thread sealant)
- Hack saw
- Vice with soft jaws

ALWAYS USE NON-SPARK TOOLS!

IN THE BOX

DEAD-STOP main valve



Drop tube
(P/N 3153 AL1150)



Olive (P/N 4067)



Lock nut
(P/N 4066)



DEAD-STOP
secondary valve

ALWAYS USE NON-SPARK TOOLS!

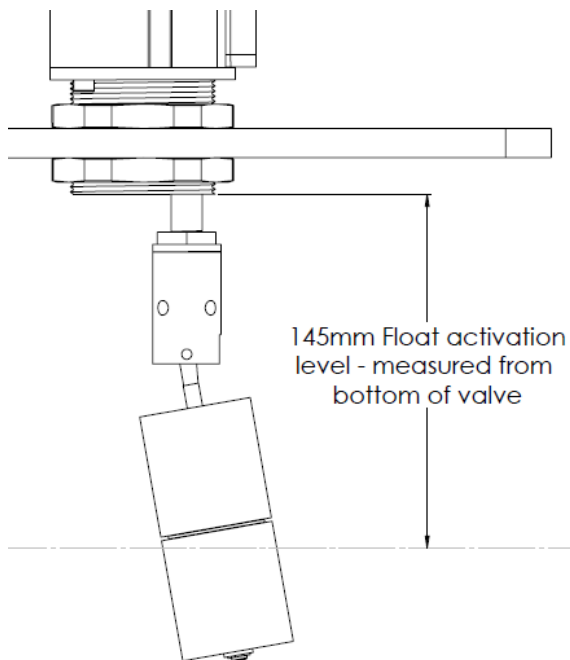
STEP 1:

Cut the tube to the required length.

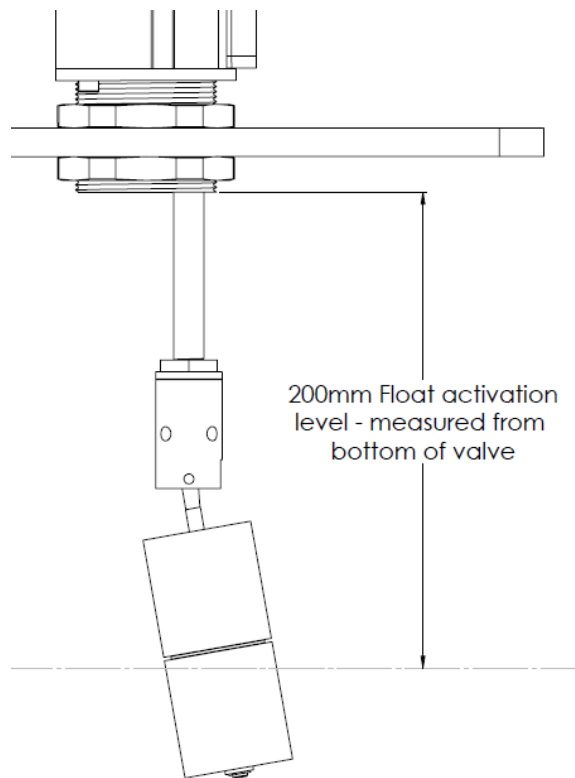
First, the tube length must be determined. This will vary depending on application.

The float activation level is 100mm greater than the tube length. A tube length cut to 100mm will give a maximum fluid level 200mm below the base of the DEAD-STOP valve, as shown below.

45mm Tube length

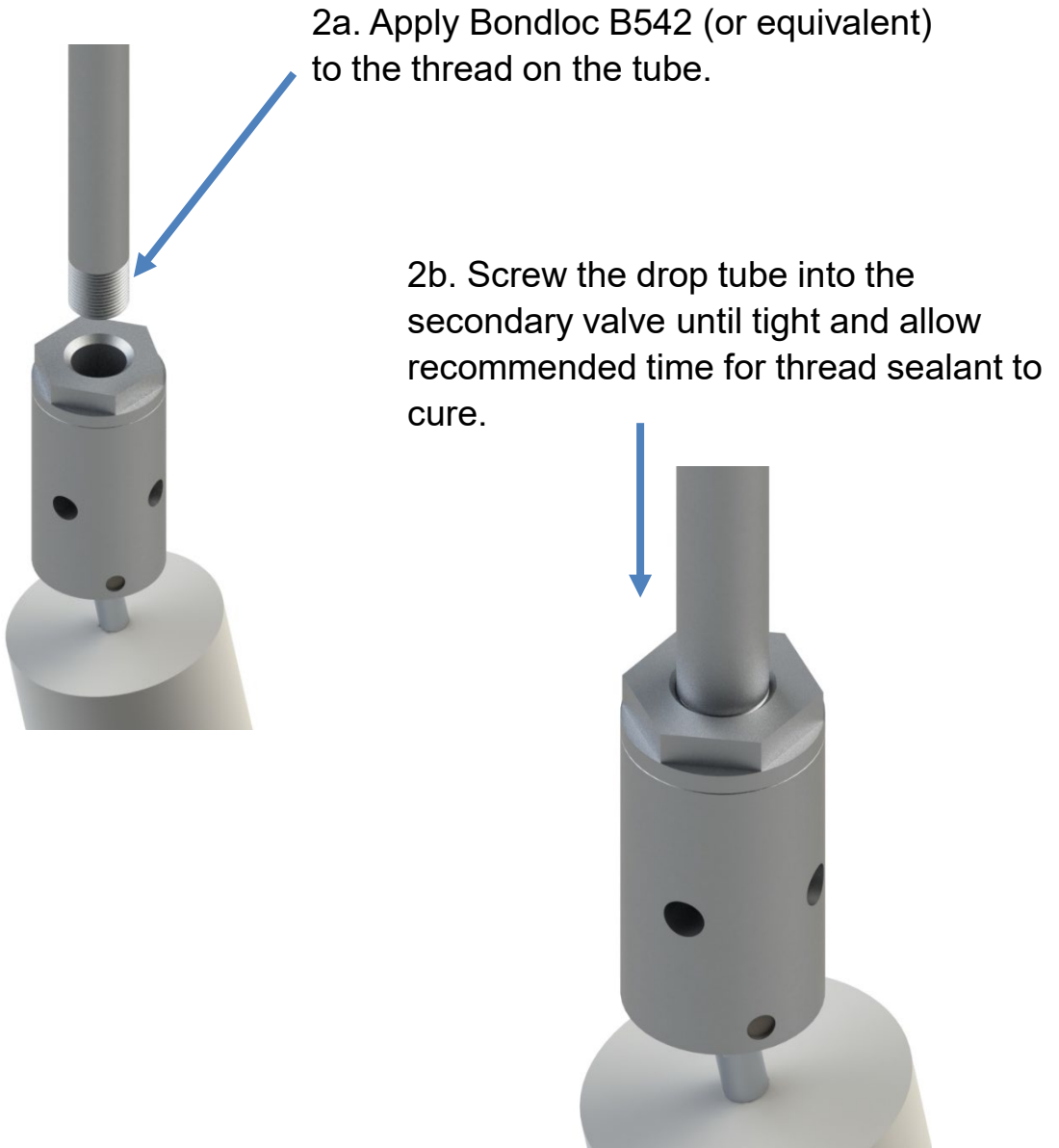


100mm Tube length



STEP 2:

Screw the drop tube into secondary valve



STEP 3:

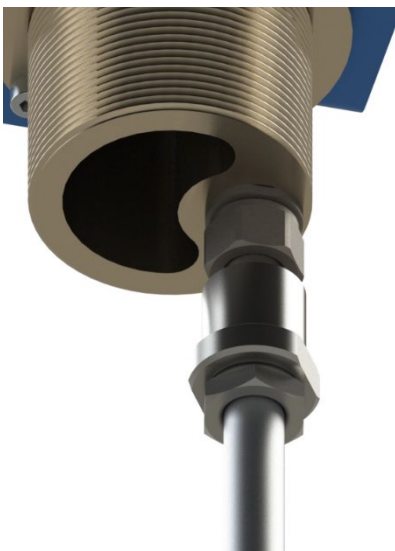
Screw the drop tube into DEAD-STOP main body



3a. Slide the lock nut and the olive on to the drop tube.



3b. Push the tube up into the extension nut until it stops.



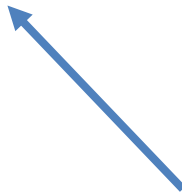
3c. Screw the lock nut into the extension nut and tighten.

STEP 4:

Ensure the correct float orientation and tighten lock nut



4a. Ensure that the float activation direction is in the orientation shown.



4b. Using a 19mm spanner, loosen the nut, adjust the orientation and then tighten the nut, ensuring the orientation doesn't change.



ALWAYS USE NON-SPARK TOOLS!

FOR REFERENCE.

Risbridger Ltd offer a range of tools specifically designed for Risbridger products. For further details please contact Risbridger,

For installation details of the products supplied with a DEAD-STOP and maintenance instructions, please see the following documents enclosed with the products or view on our website:

- DATA-DEAD-STOP
- INS-DEAD-STOP
- MAINT-DEAD-STOP

WARRANTY.

All RISBRIDGER Ltd products are guaranteed against defects in material and workmanship for a period of 12 months from the date of purchase subject to normal use and service. The sole obligation under this warranty is limited to repair or replacement, at the option of RISBRIDGER Ltd any product found to be defective upon examination provided that such product will be returned for inspection carriage paid, within three months of installation. Liability is strictly limited to replacement of defective parts manufactured by RISBRIDGER Ltd and no liability can be accepted for any loss or consequential damages arising from the installation or use of any products supplied by RISBRIDGER Ltd whatsoever the cause. This warranty shall not apply to any product subject to abuse, negligence, accident, misapplication or any alteration by others.

Risbridger

Quality Engineering Solutions

*Design innovation
Sound engineering
Integrity
Quality...for more than*



Contact

+44 (0) 1737 372 680

info@risbridger.com

www.risbridger.com

Follow Us



Risbridger Ltd

25 Trowers Way
Holmethorpe Ind Est
Redhill
Surrey
RH1 2LH

Document Reference: INS-DEAD-STOP-ADJUSTABLE-FLOAT-230829