

Part Number: B290A1301C



© Copyright Mann Teknik AB

https://configurator.manntek.se/FFB/TWO/2/BV2/AL/WELDING/DN50_W60_ST/WELDING/DN50_W60_ST/WELDING/DN50_W60_ST/VITON/NONE/Product14.html

Product Group

Full Flow Ballvalves

Compact and lightweight construction with full flow (low pressure drop). Suitable for the handling of different types of petroleum based products such as diesel, gasoline and aviation fuels. May also be used for other media, e.g. solvents. All wetted parts of the ballvalve are free of non-ferrous metal such as brass/bronze, safeguarding media purity.

Typically mounted as closing valve / manifold in filling and supply (unloading) lines on road tankers, aviation refuellers and dispensers and other mobile fuelling applications, e.g. pump skids and tank containers with integrated dispenser.

Two way ballvalves are suitable as a second closure to ADR on tank trucks. They are not certified as an Internal Regulating Valve (ILV) as specified in SAE AS6401.

Certificates: Approved for the transport of dangerous goods on road (ADR) and by rail (RID).

Type examination according to EN 14432.

Apragaz File ref.: 0702/P8914/000/LMI, TDT-UW-21/16, EAC TC No. RU Д-SE.MIO62.B.02151

Ball Valve Type

Special type - One inlet, two outlets

Special type:

Two way ball valve - One inlet, two outlets (manual or pneumatic actuation).

Media flow in both directions possible.



Comment Compact and lightweight construction with full flow (low pressure drop).

Suitable for the handling of different types of petroleum based products such as diesel, gasoline and aviation fuels. May also be used for other media, e.g. solvents.

All wetted parts of the ballvalve are free of non-ferrous metal such as brass/bronze, safeguarding media purity.

Typically mounted as closing valve / manifold in filling and supply (unloading) lines on road tankers, aviation refuellers and dispensers and other mobile fuelling applications, e.g. pump skids and tank containers with integrated dispenser.

Two way ballvalves are suitable as a second closure to ADR on tank trucks.

They are not certified as an Internal Regulating Valve (ILV) as specified in SAE AS6401.

Nominal Diameter

DN 50 (2")

Actuation

Manual

Manually / hand operated.



Body Material

Aluminium

Maximum Working Pressure 16 bar

Test Pressure 24 bar

Minimum Burst Pressure 80 bar

Connection 1

Welding End / Welding Flange

Connection 1 - Detail

W Ø 60 mm / 2.36" welding steel flange

For pipe OD 60 mm

Connection Detail

Technical Drawing

Connection 2

Welding End / Welding Flange

Connection 2 - Detail

W Ø 60 mm / 2.36" welding steel flange

Connection Detail

Technical Drawing

Connection 3

Welding End / Welding Flange



Connection 3 - Detail

W Ø 60 mm / 2.36" welding steel flange

Connection Detail

Technical Drawing

O-Rings

Viton® (FPM/FKM) Standard

FKM/FPM (Fluorocarbon Rubber): FKM is known especially for its non-flammability, low gas permeability and excellent resistance to ozone, weathering and aging.


The operating temperatures of the Fluorocarbon Rubber range between -20° C and +200° C).

FKM is often used with mineral based oils and greases at high temperatures, aliphatic, aromatic and chlorinated hydrocarbons and oxidizing acids.

Options: Special Types

No Special Types required

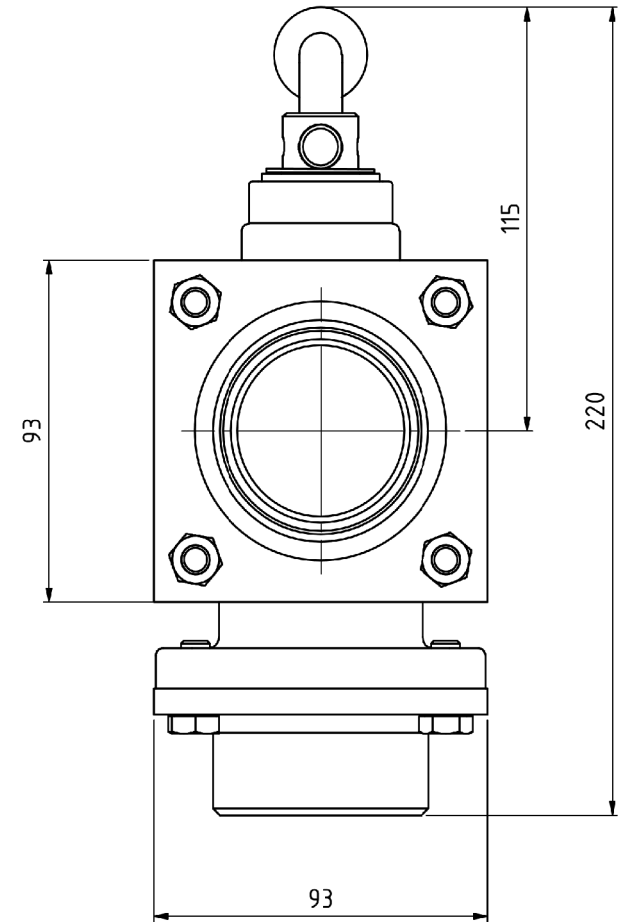
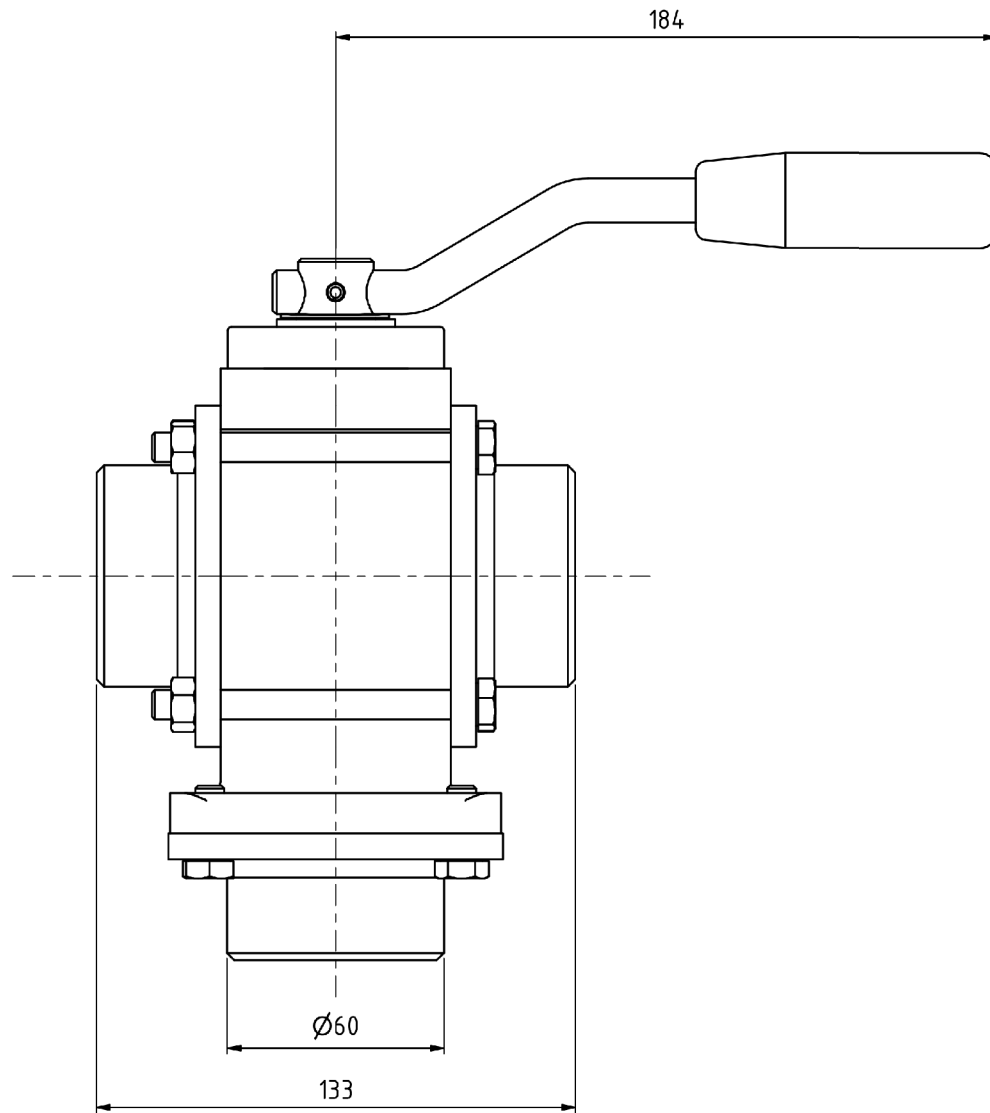
PDF Documents

 Homepage FFBV (Full Flow Ballvalves)

Contact Data:

Mann Teknik AB
Strandvägen 16
SE-542 31 Mariestad / Sweden
Telefon:+46 501 39 32 00
Telefax: +46 501 39 32 09
Internet: <http://www.manntek.se>

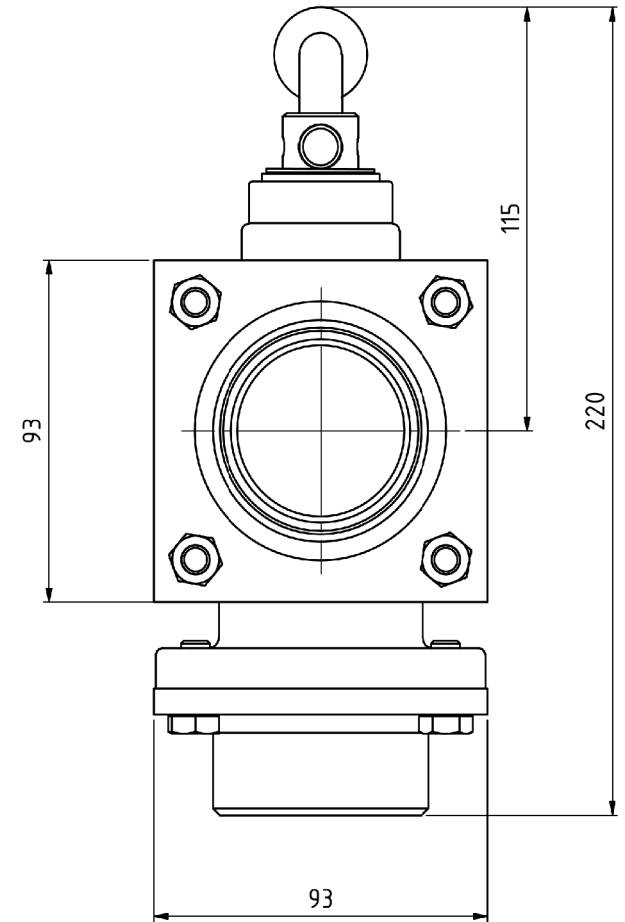
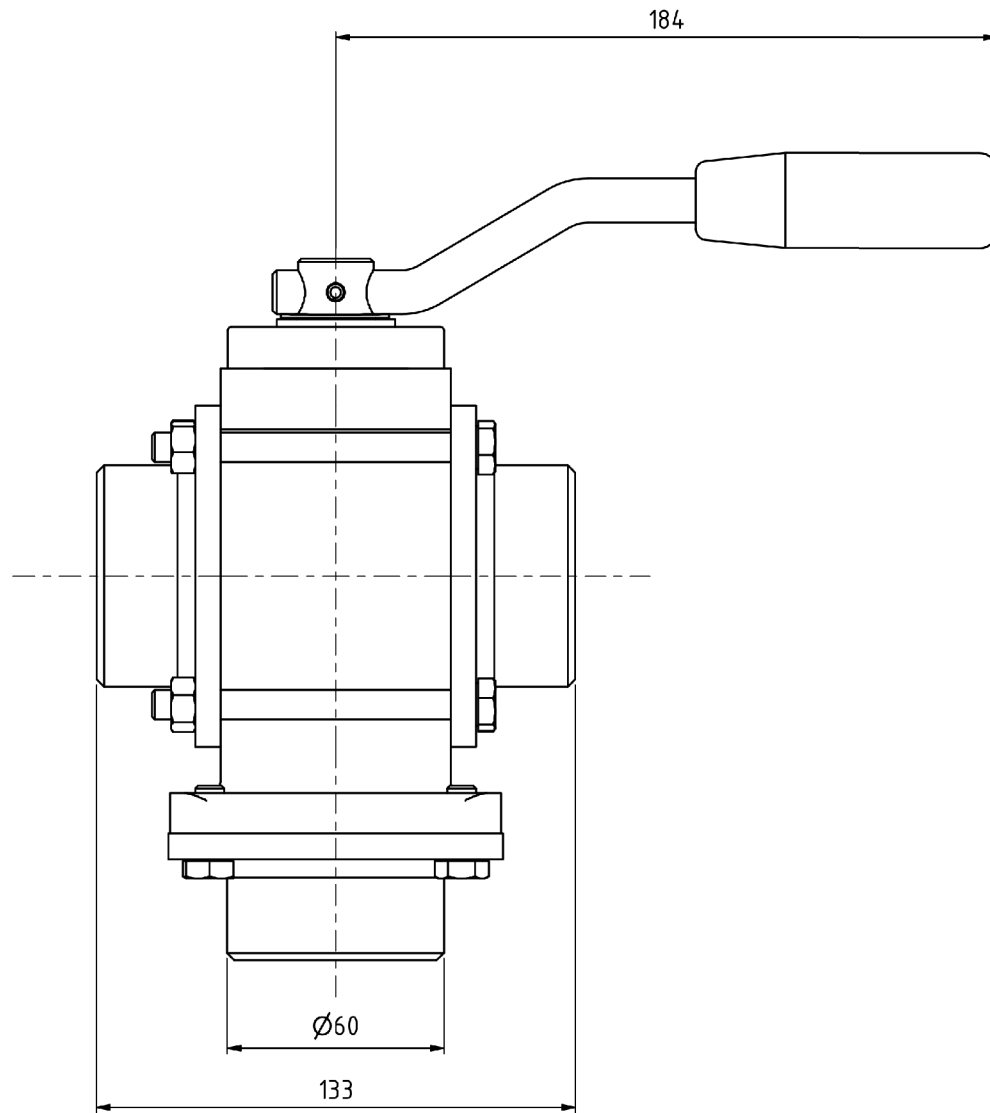
Notice: This drawing contains proprietary information and shall not be used or reproduced or its contents disclosed in whole or in part, without the prior written consent of the Mann Teknik AB



MannTek

B290A1301C-1
Full Flow Ballvalves
DN 50 (2")
W Ø 60 mm / 2.36" welding steel flange

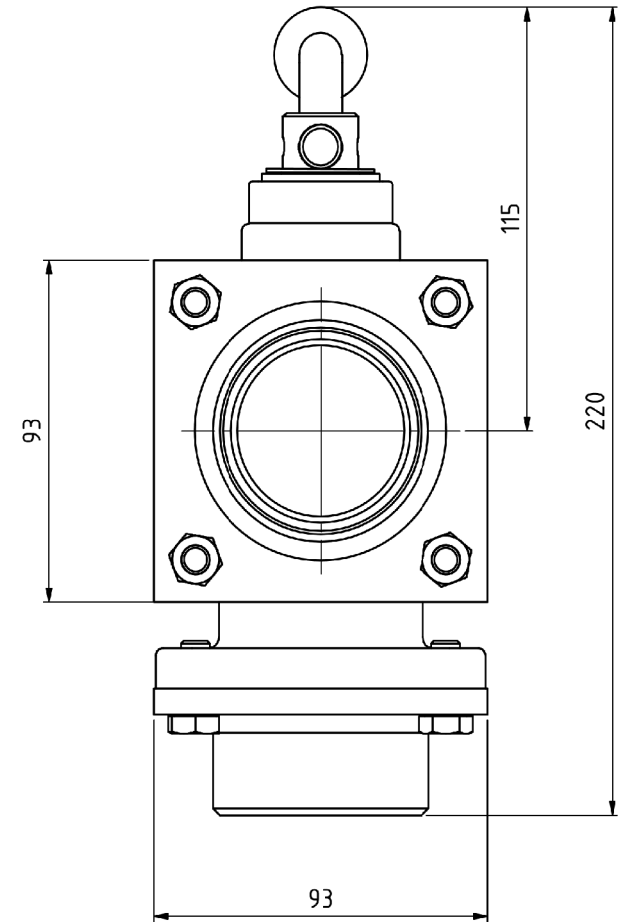
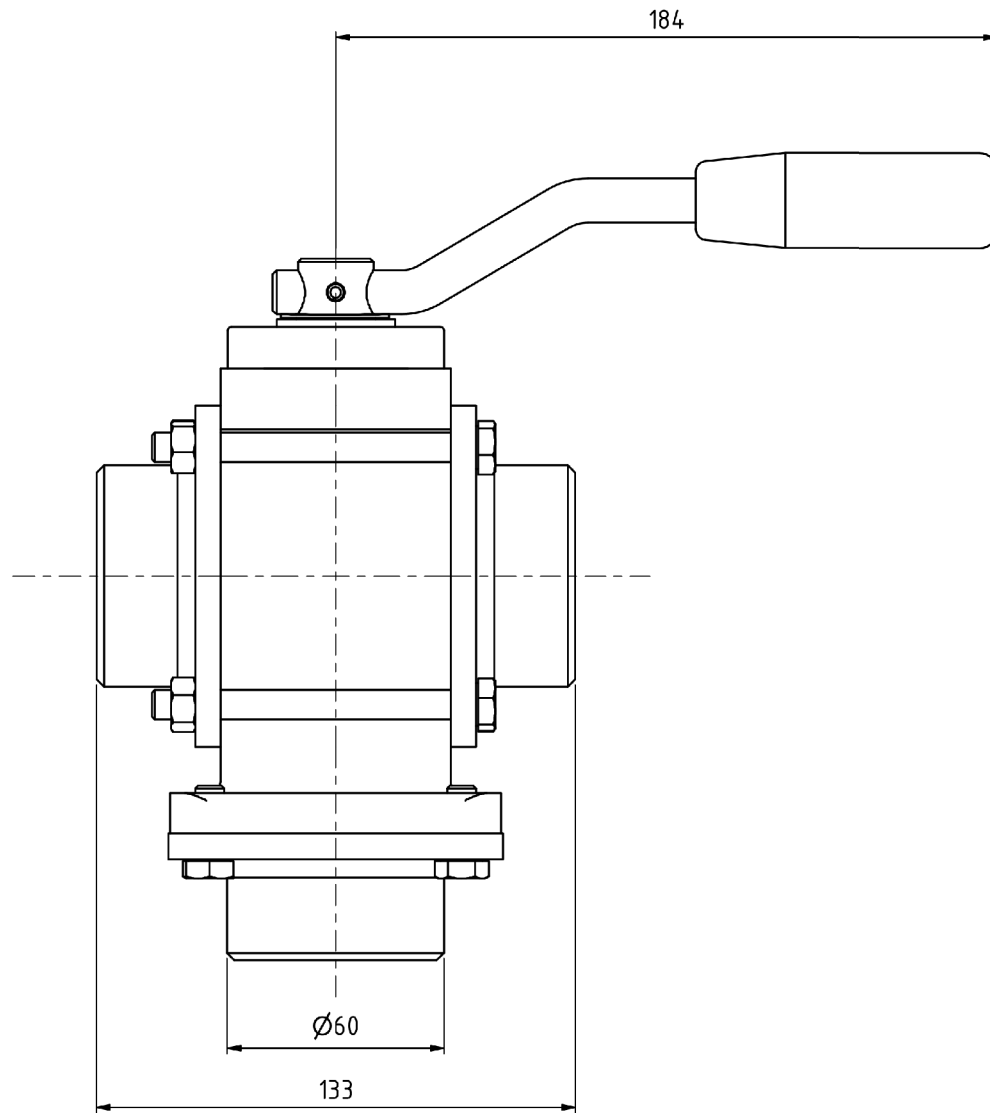
Notice: This drawing contains proprietary information and shall not be used or reproduced or its contents disclosed in whole or in part, without the prior written consent of the Mann Teknik AB



MannTek

B290A1301C-1
Full Flow Ballvalves
DN 50 (2")
W Ø 60 mm / 2.36" welding steel flange

Notice: This drawing contains proprietary information and shall not be used or reproduced or its contents disclosed in whole or in part, without the prior written consent of the Mann Teknik AB



MannTek

B290A1301C-1
Full Flow Ballvalves
DN 50 (2")
W Ø 60 mm / 2.36" welding steel flange