

Part Number: 2S10A4403A



© Copyright Mann Teknik AB

https://configurator.manntek.se/DDC/HOSEUNIT/2/2/SS/THREAD/F_2_BSP_A/EPDM/NONE/DEFAULT/WITHOUT/WITHOUT_F/PTFE_DEFAULT/Product14.html

Product Group

Dry Disconnect Couplings

Quick and safe connection of hose assemblies and loading arms to mobile and stationary tanks, under pressure and with minimised liquid loss.

The standardised interface to STANAG 3756 with its bayonet coupling principle has been widely accepted in the industry. Both coupling parts are equipped with a flat poppet valve.

For the connection, the hose unit is pushed onto the tank unit and coupled / sealed by turning the coupler clockwise by 15 degrees. When the unit is turned by 100 degrees, the valves move into the tank unit so that the medium can flow. When a similar turn is made counter-clockwise, the flow is stopped and the coupler can be pulled off.

Certificates: DDC couplings fulfill the requirements of European Pressure Equipment Directive category 2 (for higher demand on request).

They are suitable for the use in potentially explosive atmosphere (ATEX) zone 1, approved for the transport of dangerous goods on road (ADR), by rail (RID) and by ship (IMDG), specified as a branch standard from European Chemical Industry (CEFIC) for handling of Ethylene Oxide/Propylene Oxide, Acrylic Monomers, Acrylonitrile, polymeric MDI/TDI and Vinyl Chloride.

TÜV TÜ.AGG 304-99, APRAGAZ File ref. 0302/P5832, Lloyd's Register 0038/
ATEX/HAM064017,
TDT-UW-21/16, EAC TC No. RU Д-SE.МЮ62.В.02151

Type of Coupling

Female (Hose Unit, Coupler)

Self locking quick connect/disconnect coupling, to STANAG 3756, for liquid media. Hose unit with swivel, typically mounted on hose assemblies and loading arms for temporary connection to storage tanks and mobile transport units, for loading and unloading.

Quick and safe connection of hose assemblies and loading arms to mobile and stationary tanks, under pressure and with minimised liquid loss.

The standardised interface to STANAG 3756 with its bayonet coupling principle has been widely accepted in the industry. Both coupling parts are equipped with a flat poppet valve.

For the connection, the hose unit is pushed onto the tank unit and coupled / sealed by turning the coupler clockwise by 15 degrees. When the unit is turned by 100 degrees, the valves move into the tank unit so that the medium can flow. When a similar turn is made counter-clockwise, the flow is stopped and the coupler can be pulled off.

Nominal Diameter / Socket Diameter

2" (Ø 70 mm)

For industrial process plant, road and rail tankers, ISO containers, IBC containers, Pharmaceutical, Aviation fuel bunkering and Petrochemical industries or on any application where spillage needs to be minimized.

Version

Version 2.0

Body Material

Austenitic Stainless Steel

Maximum Working Pressure 25 bar

Test Pressure 37,5 bar

Minimum Burst Pressure 125 bar

Connection

Threaded Connection

Connection Detail

F 2" BSP

2" BSP female to EN ISO 228

Connection Detail

Technical Drawing

O-Rings

EPDM

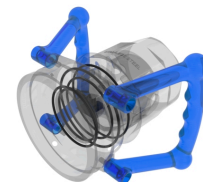
EPDM (Ethylene Propylene Diene Rubber) shows good heat, ozone and aging resistance.

In addition it also exhibits high levels of elasticity, good low temperature behaviour as well as good insulating properties.

The operating temperatures of applications for EPDM range between -55° C and +150° C (for a short period of time up to +175° C).

EPDM can often be found in applications with brake fluids (based on glycol) and hot water but also with alcohols, animal and vegetable oils and oxidizing chemicals.

FDA compliant food grade compound as a standard.



Options: Special Types

No Special Types required

Options: Handle

Standard



Options: Selectivity

No Selectivity




Accessories

Without

Flat Seal

PTFE (Default)

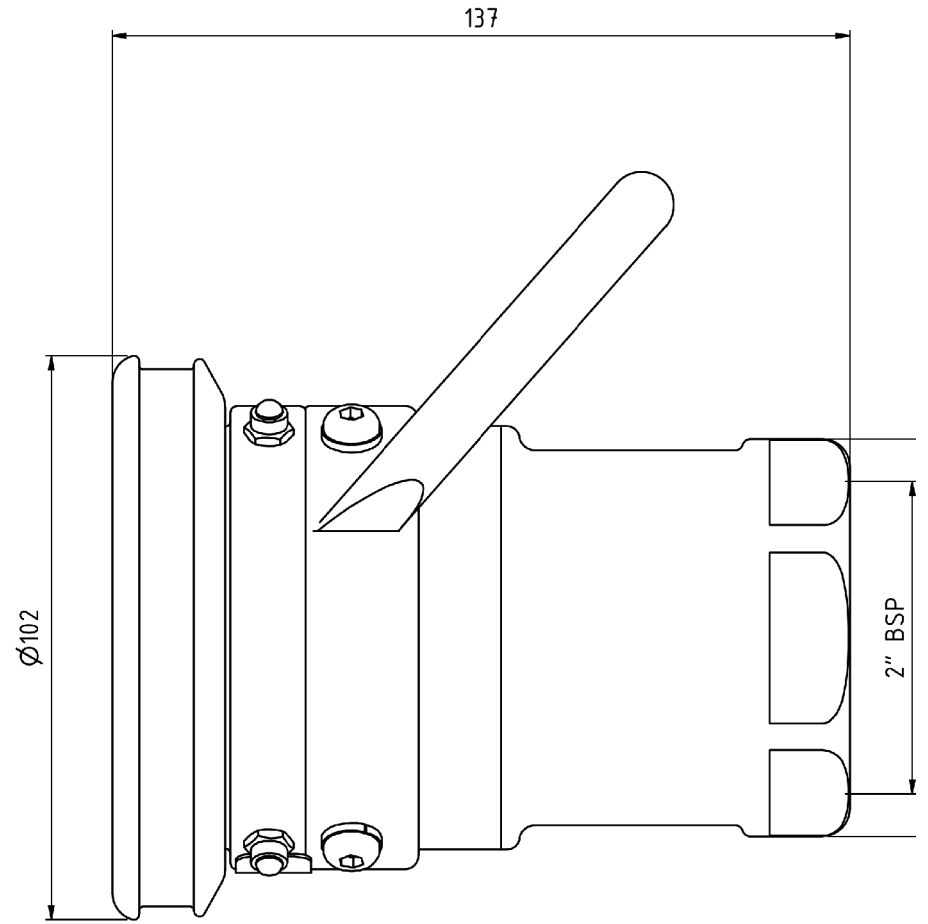
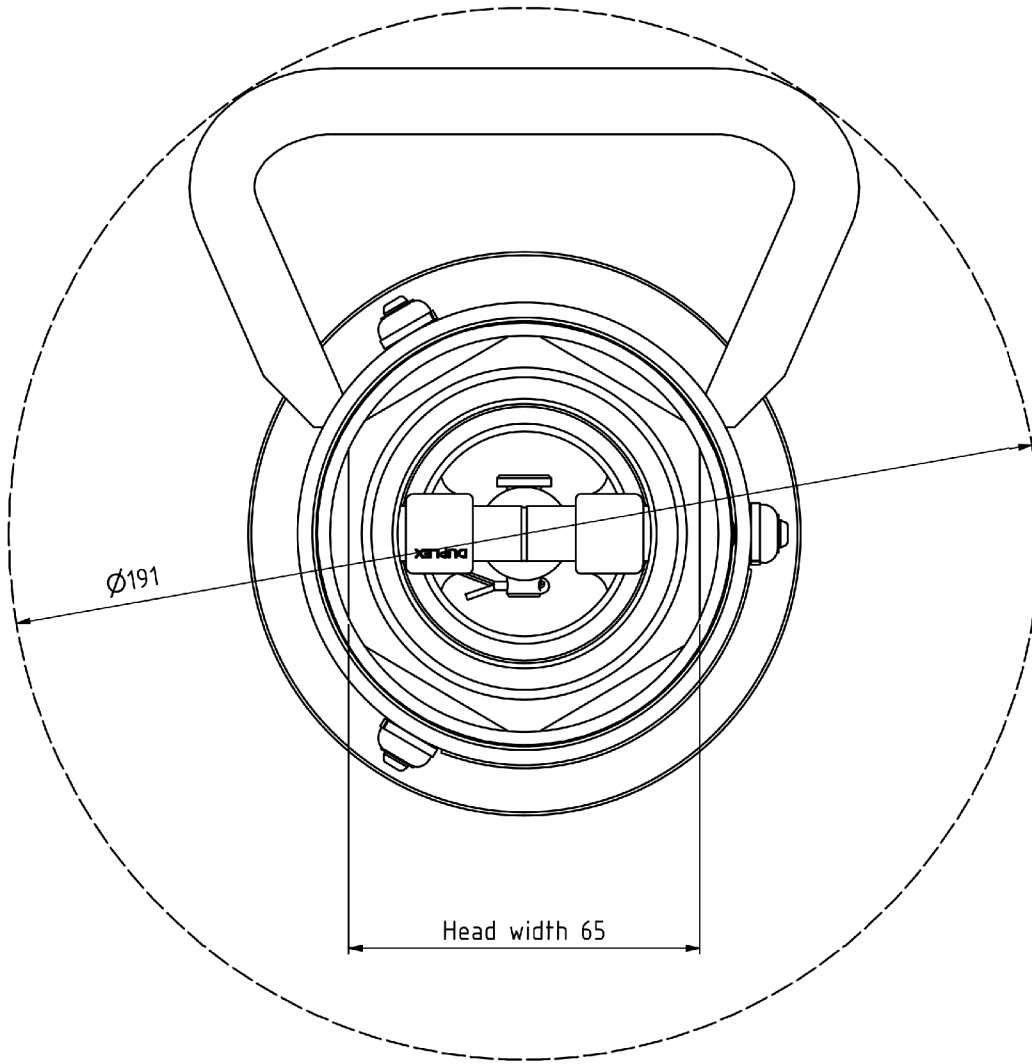
PDF Documents

-  Homepage DDC-Couplings (Dry Disconnect Couplings)
-  Additional Information (Dry Disconnect Couplings)
-  Brochure Design 2.0 (2" (Ø 70 mm))

Contact Data:

Mann Teknik AB
Strandvägen 16
SE-542 31 Mariestad / Sweden
Telefon: +46 501 39 32 00
Telefax: +46 501 39 32 09
Internet: <http://www.manntek.se>

Notice: This drawing contains proprietary information and shall not be used or reproduced or its contents disclosed in whole or in part, without the prior written consent of the Mann Teknik AB



MannTek

S210A4401-1
Dry Disconnect Couplings
2" ($\text{Ø} 70 \text{ mm}$)
F 2" BSP