

CABLETIGHT™ WIRE MANAGEMENT SYSTEM

The UPP® brand CableTight™ wire management system provides a true end-to-end solution for electrical, sensor, and data wiring containment. All of the benefits of the field-proven electrofusion welded pipework system are applied to this crucial part of the forecourt installation to ensure a fully liquid-tight underground system. The offering includes a system for 32 mm conduit, 75 mm conduit, 110 mm ducting, direct bury, and rigid conduit applications.

HIGHLIGHTS

- Electrofusion entry seals with integrated slotted compression disks and grommets create a leak proof system by eliminating liquid or vapour penetration.
- Multi-cable entry seal is ideal for consolidating groups of 5 mm to 17 mm diameter wires into one entry point.
- Rigid conduit entry fitting handles one to three 3/4" bore rigid conduit entries.
- Direct bury entry fittings are ideal for applications where cable of 5 mm to 16 mm diameter are directly buried in the ground, such as grounding wires and armoured power cables.
- Slotted multi-cable compression disk design allows wires to be positioned into place without having to pull them through each hole for significantly easier wire pulling.

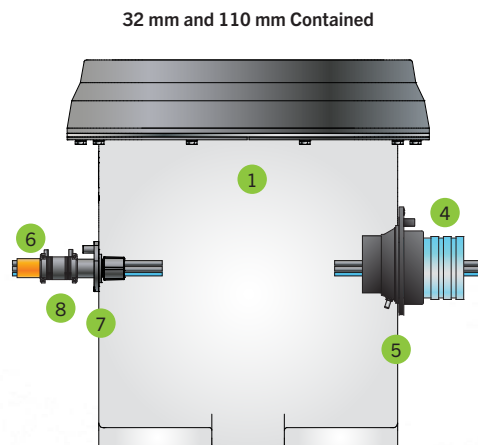
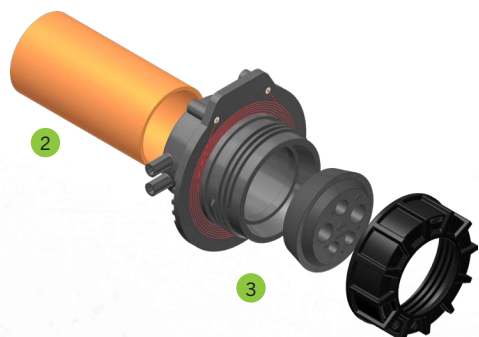
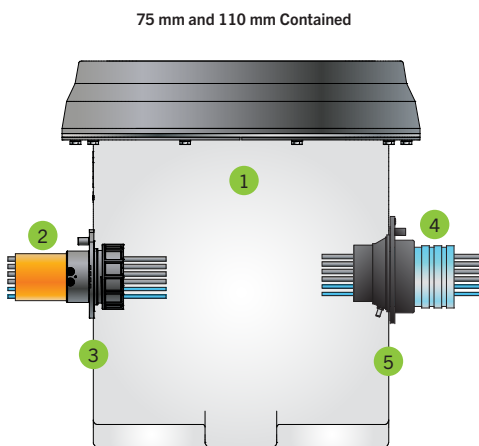
SPECIFICATIONS

Internal Bore Diameters (conduit & ducting)	<ul style="list-style-type: none"> – 25 mm (32 mm conduit) – 65 mm (75 mm conduit) – 106 mm (110 mm ducting)
Max Vapour Seal Penetration (in containment)	<ul style="list-style-type: none"> – 60 mm (75 mm conduit) – 50 mm (32 mm conduit) – 50 mm (direct bury)
Transition Chamber Dimensions	900 W x 800 D x 862 H
Transition Chamber Composition	<ul style="list-style-type: none"> – LLDPE chamber – D400 load rated composite access cover and frame (factory tested to -30mbar)
Approvals /Certifications	Conduit approval to AS/NZS 2053.1:2001

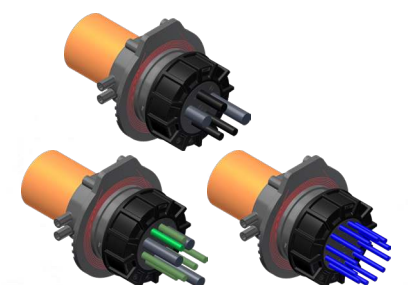
Components

Systems and their various components installed.

- | | |
|---------------------------------|---------------------|
| 1 Transition chamber with cover | 5 110 mm entry seal |
| 2 75 mm conduit | 6 32 mm conduit |
| 3 75 mm multi-cable entry seal | 7 32 mm entry seal |
| 4 110 mm ducting | 8 32 mm coupler |



Range of compression discs and grommets sold separately



Multi-Cable Entry Seal Compression Disc Options

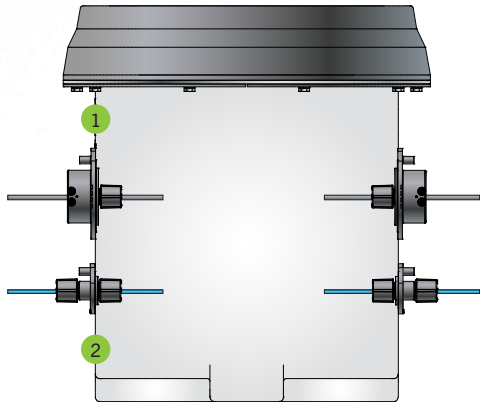
SPECIFICATIONS CONTINUED

Components

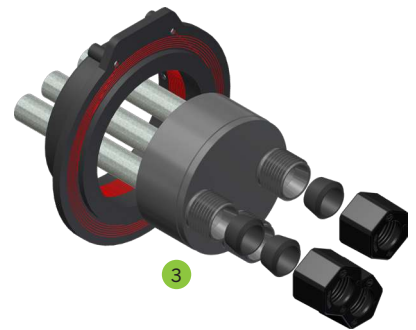
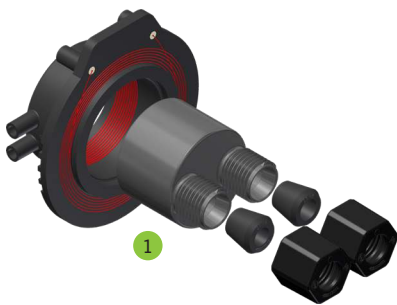
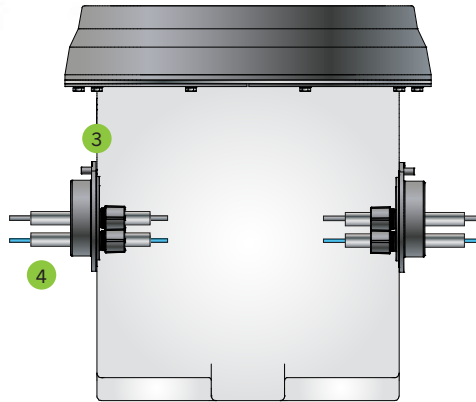
Systems and their various components installed.

- 1 Double direct bury entry seal
- 2 Single direct bury entry seal
- 3 Triple rigid conduit entry seal
- 4 Rigid conduit (locally supplied)

Direct Bury System



Rigid Conduit System



Range of grommets sold separately.

Grommets included

Transition Chamber



ORDER INFORMATION

75 mm CableTight™ Wire Management System

Ideal for accommodating multiple cables in a wide range of diameters.

75 mm Conduit

Model	Description
001-075-050-EC-E	75 mm conduit, orange, 50 m coil



Multi-Cable Entry Seal

The multi-cable entry seal is ideal for consolidating groups of 5 mm to 17 mm diameter wires into one entry point. Entry seals come without compression disks. Compression disks must be ordered separately. All compression disk cable entries are marked with nominal diameter and will accommodate a range of wire diameters (see ranges in descriptions below).

Model	Description
303-075-EC	Electrofusion multi-cable entry seal, for 75 mm conduit
408040001	Replacement compression nut for 303-075-EC



Compression disks not included.

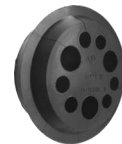
Model	Description
408103001	12 cable compression disk—(12) 5-8 mm cable entries

Typical use: Tank sensor wiring. Corresponding plug: 408134001



Model	Description
408113001	9 cable compression disk—(3) 12-15 mm cable entries, (6) 7-10 mm cable entries

Typical use: Tank power wiring (pressure applications). Corresponding plugs: (3) 408130001, (6) 408133001



Model	Description
408162001	6 cable compression disk - (5) 13-16mm cable entries, (1) 6-9mm cable entry

Typical use: Tank power and data wiring. Corresponding plugs: (5) 408130001, (1) 408133001



Model	Description
408102001	5 cable compression disk—(2) 14–17 mm cable entries, (1) 11–14 mm cable entry, (2) 9–12 mm cable entries

Typical use: Dispenser power and data wiring. Corresponding plugs: (2) 408129001, (1) 408131001, (2) 408132001



Model	Description
408161001	5 cable compression disk—(4) 17–20 mm cable entries, (1) 6–9 mm cable entry

Typical use: Dispenser power and data wiring. Corresponding plugs: (4) 408164001, (1) 408133001



Model	Description
408122001	Blank compression disc for 75 mm entry fitting

Typical use: Line integrity testing and future expansion.



Cable Entry Plugs

Used to seal off unused cable entries in compression disks.

Model	Description	Model	Description
408165001	3 mm cable entry plug	408131001	12 mm cable entry plug
408134001	6 mm cable entry plug	408130001	14 mm cable entry plug
408133001	9 mm cable entry plug	408129001	16 mm cable entry plug
408132001	11 mm cable entry plug	408164001	18 mm cable entry plug



75 mm Installation Tools

Model	Description
303-CLAMP-1	Welding clamp for 303-075-EC
HS3	102 mm hole saw



ORDER INFORMATION CONTINUED

32 mm CableTight™ Wire Management System

Ideal for accommodating single large and multiple smaller diameter cables.



32 mm Conduit

Model	Description
001-032-100-EC-E	32 mm conduit, orange, 100 m coil

32 mm Conduit Entry Seal

Entry seals come without compression grommets. Compression grommets must be ordered separately. All compression grommet cable entries are marked with maximum diameter and will accommodate a range of wire diameters (see ranges in descriptions below).



Grommets not included

Model	Description
302-032-EC	Electrofusion entry seal, for 32 mm conduit
408112001	Replacement compression nut for 302-032-EC

Model	Description
02-032-L	Electrofusion coupler, for 32 mm conduit



Model	Description
408107006	3 cable compression grommet—(3) 5–6 mm cable entries
408163001	3 cable compression grommet—(3) 2–3 mm cable entries

*Typical use: Sensors, line leak detection, interstitial tank and pipe monitoring, tank gauge wiring.
408107006 Corresponding plug: 408134001
408163001 Corresponding plug: 408165001*



Model	Description
408107005	Cable compression grommet - (1) 7-9mm cable entry

Typical use: Tank grounding wiring. Corresponding plug: 408133001



Model	Description
408107004	Cable compression grommet—(1) 9-11 mm cable entry

Typical use: Card reader in dispenser or outdoor payment terminal wiring. Corresponding plug: 408132001



Model	Description
408107003	Cable compression grommet—(1) 12–14 mm cable entry

Typical use: Tank or dispenser power wiring. Corresponding plug: 408130001



Model	Description
408107002	Cable compression grommet—(1) 14–16 mm cable entry

Typical use: Dispenser hook signal wiring. Corresponding plug: 408129001



Model	Description
408107007	Blank compression grommet

Typical use: Line integrity testing and future expansion.



Cable Entry Plugs

Used to seal off unused cable entries in compression grommets.

Model	Description	Model	Description
408165001	3 mm cable entry plug	408131001	12 mm cable entry plug
408134001	6 mm cable entry plug	408130001	14 mm cable entry plug
408133001	9 mm cable entry plug	408129001	16 mm cable entry plug
408132001	11 mm cable entry plug	408164001	18 mm cable entry plug



32 mm Installation Tools

Model	Description
302-CLAMP	Welding clamp for 302-032-EC
HSCS2	51 mm hole saw



ORDER INFORMATION CONTINUED

Direct Bury Wire Management System

Ideal for accommodating direct bury cables requiring a liquid-tight containment entry.

Direct Bury Entry Seals

Direct bury entry seals are ideal for applications where cable is directly buried in the ground. Entry seals come without compression grommets. Compression grommets must be ordered separately. All compression grommet cable entries marked with maximum diameter and will accommodate a range of wire diameters (see ranges in descriptions below).

Model	Description
302-DBC	Electrofusion single direct bury entry seal, (1) entry
303-2DBC	Electrofusion double direct bury entry seal, (2) entries
408112001	Replacement compression nut for 302-DBC and 303-2DBC

Model	Description
408107006	3 cable compression grommet - (3) 5-6mm cable entries

*Typical use: Sensors, line leak detection, interstitial tank and pipe monitoring, tank gauge wiring.
Corresponding plug: 408134001*

Model	Description
408107005	Cable compression grommet - (1) 7-9mm cable entry

Typical use: Tank grounding wiring. Corresponding plug: 408133001

Model	Description
408107004	Cable compression grommet - (1) 9-11mm cable entry

Typical use: Card reader in dispenser or outdoor payment terminal wiring. Corresponding plug: 408132001

Model	Description
408107003	Cable compression grommet - (1) 12-14mm cable entry

Typical use: Tank or dispenser power wiring. Corresponding plug: 408130001

Model	Description
408107002	Cable compression grommet - (1) 14-16mm cable entry

Typical use: Dispenser hook signal wiring. Corresponding plug: 408129001

Model	Description
408107007	Blank compression grommet

Typical use: Line integrity testing and future expansion.



Grommets not included



Cable Entry Plugs

Used to seal off unused cable entries in compression grommets.

Model	Description
408165001	3mm cable entry plug
408134001	6mm cable entry plug
408133001	9mm cable entry plug
408132001	11mm cable entry plug
408131001	12mm cable entry plug
408130001	14mm cable entry plug
408129001	16mm cable entry plug
408164001	18mm cable entry plug



Direct Bury Installation Tools

Model	Description
303-CLAMP-1	Welding clamp for 303-2DBC
HS3	110mm hole saw
302-CLAMP	Welding clamp for 302-DBC
HSCS2	63mm hole saw



ORDER INFORMATION CONTINUED

Rigid Conduit Entry Seal

The rigid conduit entry seals handles one to three 3/4" (nominal 26.7 mm O/D) rigid conduit entries where local regulations require steel conduit.

Model	Description
305-3X27MM-CON	Electrofusion triple rigid conduit entry seal, for 3/4" (nominal 26.7 mm O/D) rigid conduit, (3) entries
408128001	Cable plug for 3/4" entry fitting
408117001	Replacement 3/4" (nominal 26.7 mm O/D) grommet



Grommets included, conduit not included

Rigid Conduit Installation Tools

Model	Description
305-EXT-CLAMP	Welding clamp for 305-3X27MM-CON
HS6	160 mm hole saw



110 mm Ducting

Model	Description
DUCT-400-250	110 mm ducting, blue, 75 m coil



110 mm Ducting Entry Seal

The 110 mm ducting entry seals is ideal for large bundles of cables running from the transition chamber back to the main kiosk.

Model	Description
304-110-TP	Electrofusion entry seal, for 110 m ducting



110 mm Ducting Installation Tools

Model	Description
304-CLAMP	Welding clamp for 304-110-TP
HS5	140 mm hole saw



Transition Chamber

Built specifically for wire management, the rugged transition chamber provides an easy access point for the electrician for maintenance or future expansion.

Model	Description
ECH-760-660-D400	Transition chamber, 700 mm x 600 mm
408109001	Removable segregation panel
VTL-750X650	Transition chamber test lid assembly, 750 mm x 650 mm



Model	Description
PCR-LIFT	Transition chamber access cover lifting tool

