

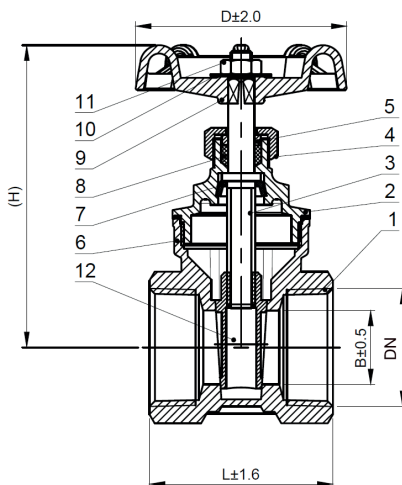
ART 610

PN20 Brass Gate Valve



Features

- Screwed BSP Taper (ISO 7/1)
- Brass body & wedge
- BS5154



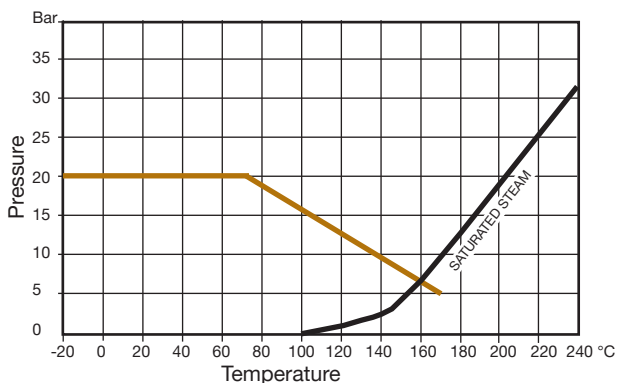
Technical data

Max pressure: 20 Bar

Working temp: -20°C to +170°C

DN	1/2"	3/4"	1"	1 1/4"	1 1/2"	2"	2 1/2"	3"	4"
L	43	46	52	65	66	82.5	88	92	110
H	69.7	75	84.5	99	109.5	130.5	163	189	232.5
D	53	53	60	72	72	80	100	108	128
B	13	17	21	27	34	45	56	68	90
Kv	8.4	15.2	22.1	39.8	63.1	142.0			
Kgs	0.25	0.33	0.46	0.82	1.10	1.60	2.62	3.41	6.05

N.	Part Name	Materials
1	Body	Brass HPb58-2
2	Bonnet	Brass HPb58-2
3	Stem	Brass CW617N
4	Packing Nut	Brass HPb58-2
5	Washer Ring	Brass HPb58-2
6	Gasket	PTFE
7	Lock Ring	Brass HPb58-2
8	Stem Packing	PTFE
9	Hand Wheel	Cast Iron HT200
10	Nameplate	Steel L2
11	Hex Nut	Steel Q235A
12	Disc	Brass HPb58-2



V1. Dimensions in mm

This data sheet is designed as a guide and should not be regarded as wholly accurate in every detail. We reserve the right to amend the specification of any product without notice.